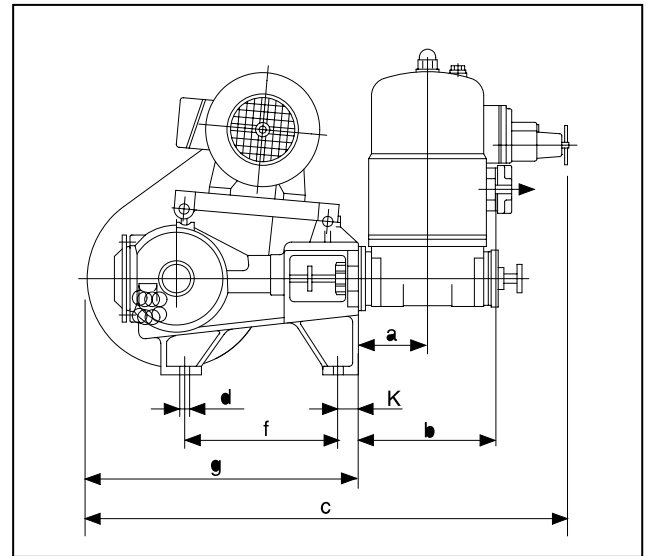
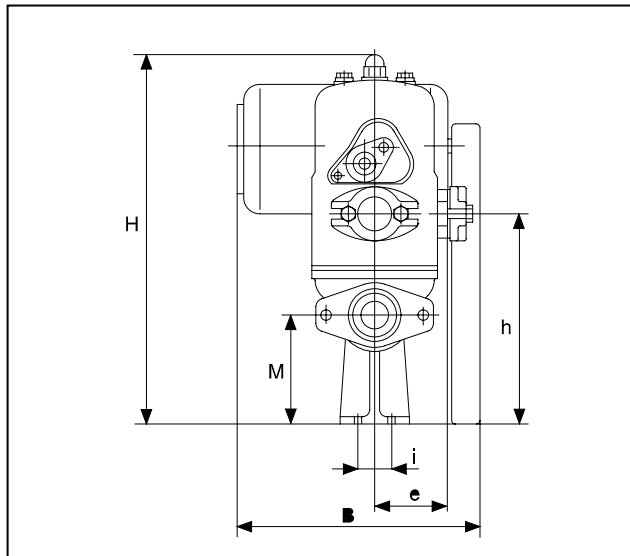


### 4.3 Technical Data

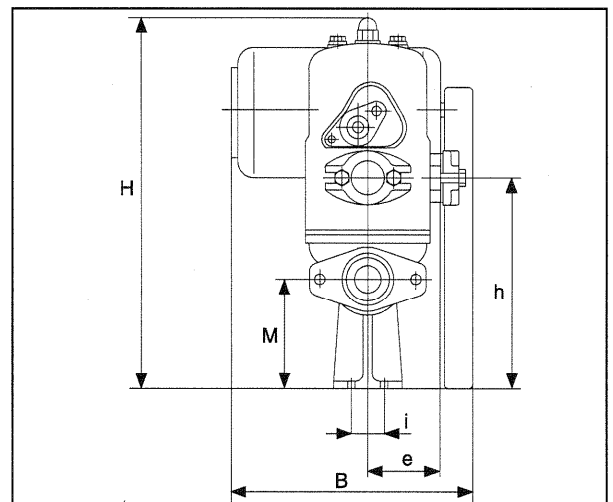
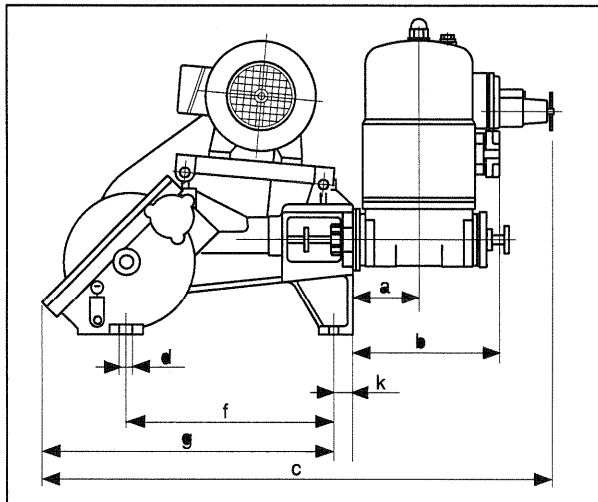


Please examine the pumps stickers and type plates in order to find out the correct data column.

Pump Type		L 10	L 15	L 20	L 25
Capacity	liters / h	1000	1500	2000	2500
Pressure	bar	4/6	4/6	4/6	4/6
Motor power, 3-phase *	kW	0,25 (0,37)	0,37 (0,55)	0,37 (0,55)	0,55 (0,75)
Motor speed	1/min	1450	1450	1450	1450
Pipe connections pump suction and discharge	inch	1	1	1 1/4	1 1/4
Cylinder ø	mm	45	45	55	55
Voltage	Volt	220/380	220/380	220/380	220/380
Dimensions a (min)	mm	80	80	93	93
b [min]	mm	165	165	193	193
B [min]	mm	≈350	≈350	≈350	≈350
c [min]	mm	≈650	≈650	≈678	≈678
d [min]	mm	14	14	14	14
e [min]	mm	80	80	95	95
f [min]	mm	210	210	210	210
g [min]	mm	390	390	390	390
H [min]	mm	419	419	455	455
h [min]	mm	252	252	258	258
i [min]	mm	50	50	50	50
k [min]	mm	28	28	28	28
M [min]	mm	135	135	135	135

\* Motor power for single phase operation upon request

4.3 Technical data



Please examine the pumps stickers and type plates in order to find out the correct data column.

Pump Type		LG 100	LG 200	LG 400	LG 500	LG 750
Capacity	liters / h	1500	2500	4000	5000	7000
Pressure	bar	4/6	4/6	4/6	4/6	4/6
Motor power, 3-phase *	kW	0,37 (0,55)	0,55 (0,75)	0,75 (1,1)	1,1 (1,5)	1,5 (2,2)
Motor speed	1/min	1450	1450	1450	1450	1450
Pipe connections pump suction and discharge	inch	1	1 1/4	1 1/2	2	2
Cylinder ø	mm	55	75	90	100	100
Voltage	Volt	220/380	220/380	220/380	220/380	220/380
Dimensions a (min)	mm	85	93	93	114	114
b [min]	mm	170	193	193	232	232
B [min]	mm	≈350	≈350	≈350	≈420	≈420
c [min]	mm	≈735	≈758	≈758	≈870	≈870
d [min]	mm	14	14	14	17	17
e [min]	mm	80	95	95	180	180
f [min]	mm	300	300	300	395	395
g [min]	mm	470	470	470	588	588
H [min]	mm	399	440	450	554	554
h [min]	mm	232	243	253	304	304
i [min]	mm	140	140	140	170	170
k [min]	mm	40	40	40	38	38
M [min]	mm	110	110	110	142	142

\* Motor power for single phase operation upon request