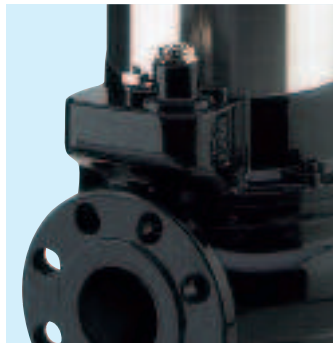
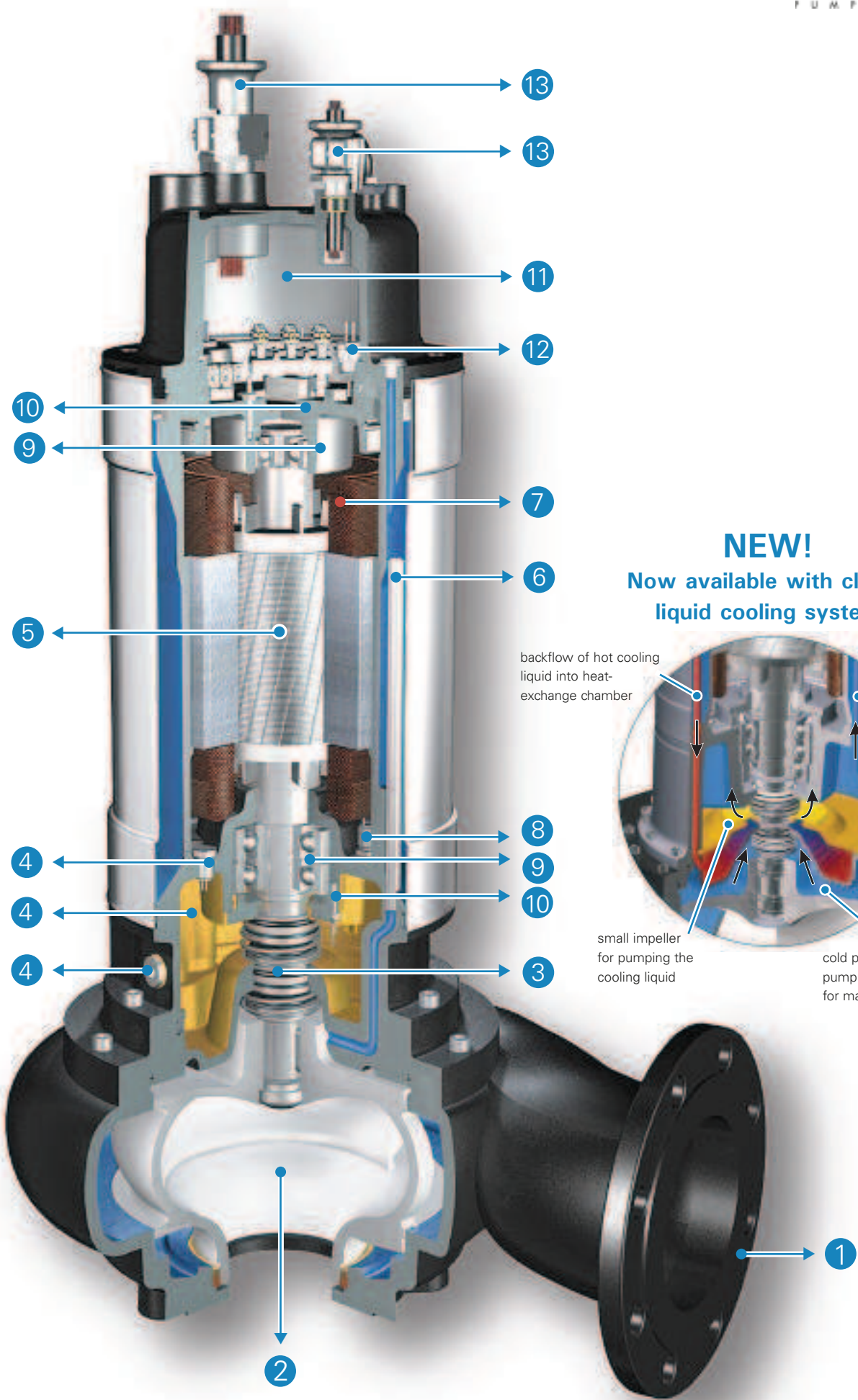


ELECTRIC SUBMERSIBLE SEWAGE PUMPS



Ranges
MX, V, VX, K
Discharge Size
DN 80 - DN 150

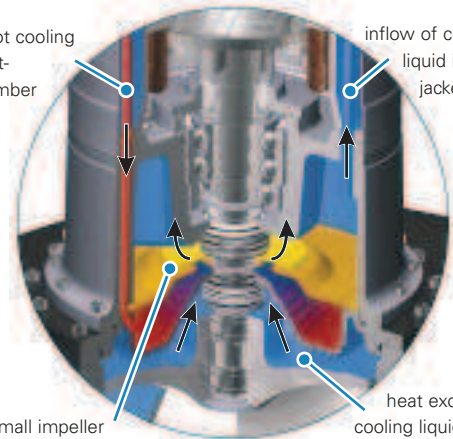




NEW!
Now available with closed
liquid cooling system

backflow of hot cooling
liquid into heat-
exchange chamber

inflow of cold cooling
liquid into motor
jacket chamber



small impeller
for pumping the
cooling liquid

heat exchange of
cooling liquid with
cold pumped liquid trough
pump flange, spiral-shaped
for maximum surface

Pump ranges selection chart



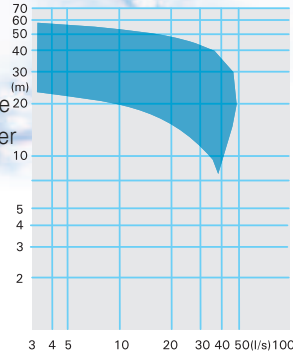
MX 13... -2 pole

DN80

Enclosed single channel impeller
80 mm Ø
Spherical clearance

2900 rpm

[see page 10](#)



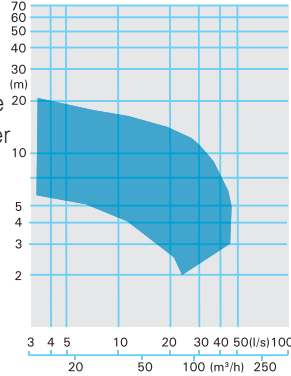
MX 13... -4 pole

DN80

Enclosed single channel impeller
80 mm Ø
Spherical clearance

1450 rpm

[see page 11](#)



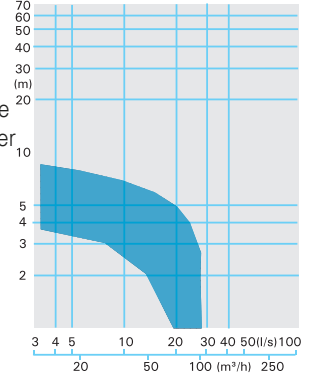
MX 13... -6 pole

DN80

Enclosed single channel impeller
80 mm Ø
Spherical clearance

960 rpm

[see page 12](#)



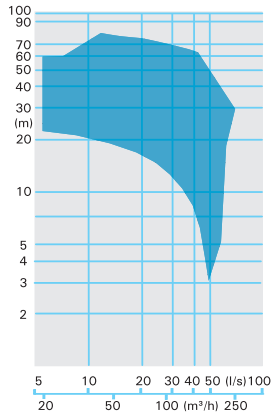
MX 23... -2 pole

DN100

Enclosed single channel impeller
80 mm Ø
Spherical clearance

2900 rpm

[see page 15](#)



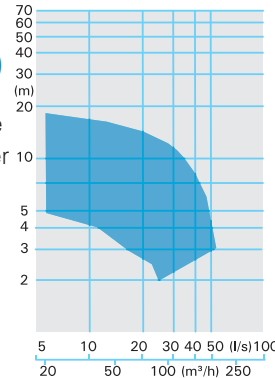
MX 23... -4 pole

DN100

Enclosed single channel impeller
80 mm Ø
Spherical clearance

1450 rpm

[see page 16](#)



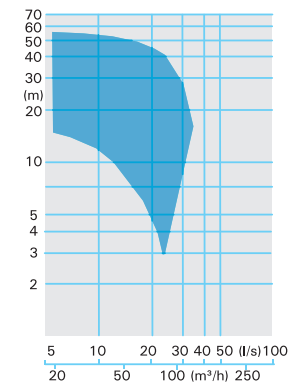
V 23... -2 pole

DN100

Vortex impeller
80 mm Ø
Spherical clearance

2900 rpm

[see page 17](#)



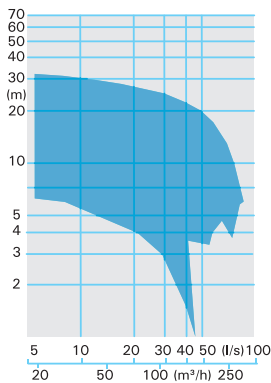
MX 24... -4 pole

DN100

Enclosed single channel impeller
100 mm Ø
Spherical clearance

1450 rpm

[see page 19](#)



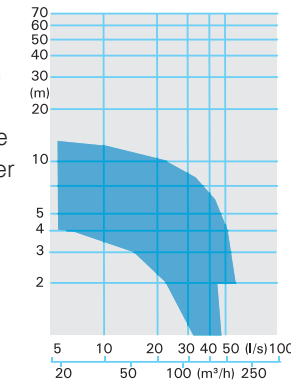
MX 24... -6 pole

DN100

Enclosed single channel impeller
100 mm Ø
Spherical clearance

960 rpm

[see page 20](#)



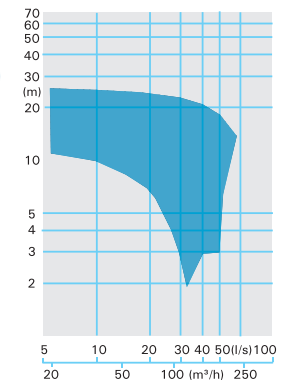
VX 24... -4 pole

DN100

Vortex impeller
100 mm Ø
Spherical clearance

1450 rpm

[see page 21](#)



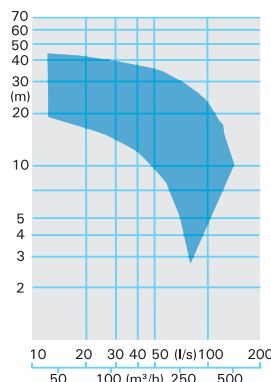
MX 34... -4 pole

DN150

Enclosed single channel impeller
100 mm Ø
Spherical clearance

1450 rpm

[see page 22](#)



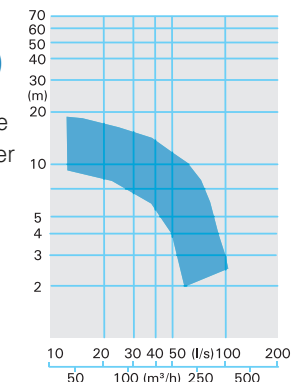
MX 34... -6 pole

DN150

Enclosed single channel impeller
100 mm Ø
Spherical clearance

960 rpm

[see page 23](#)



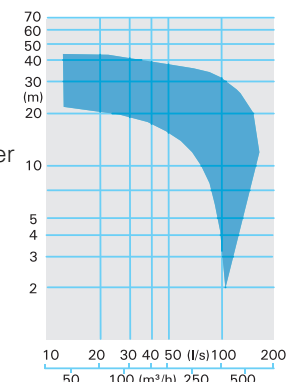
K 33... -4 pole

DN150

Enclosed two channel impeller
100 mm Ø
Spherical clearance

1450 rpm

[see page 24](#)





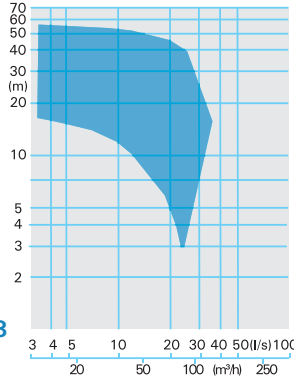
V 13... -2 pole

DN80

Vortex
impeller
80 mm Ø
Spherical
clearance

2900 rpm

see page 13



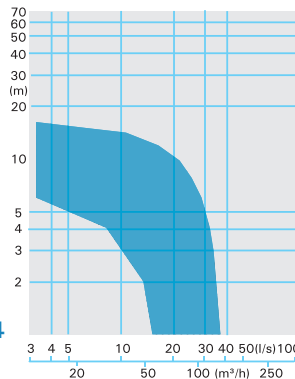
V(X) 13... -4 pole

DN80

Vortex
impeller
80 mm Ø
Spherical
clearance

1450 rpm

see page 14



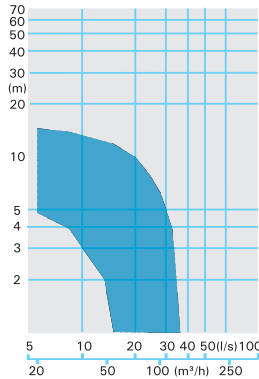
V(X) 23... -4 pole

DN100

Vortex
impeller
80 mm Ø
Spherical
clearance

1450 rpm

see page 18



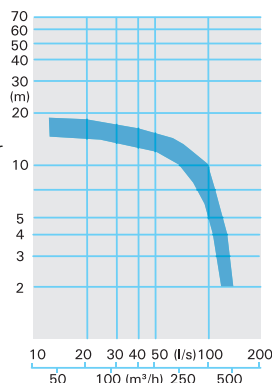
K 33... -6 pole

DN150

Enclosed two
channel impeller
80 mm Ø
Spherical
clearance

960 rpm

see page 25



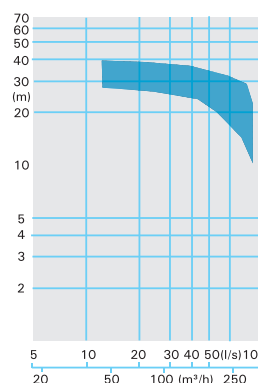
VX 34... -4 pole

DN150

Vortex
impeller
100 mm Ø
Spherical
clearance

1450 rpm

see page 26



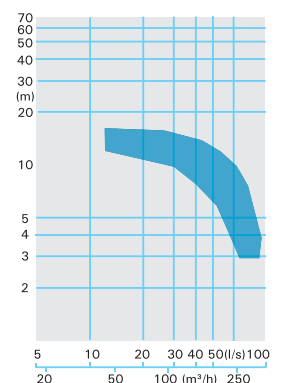
VX 34... -6 pole

DN150

Vortex
impeller
100 mm Ø
Spherical
clearance

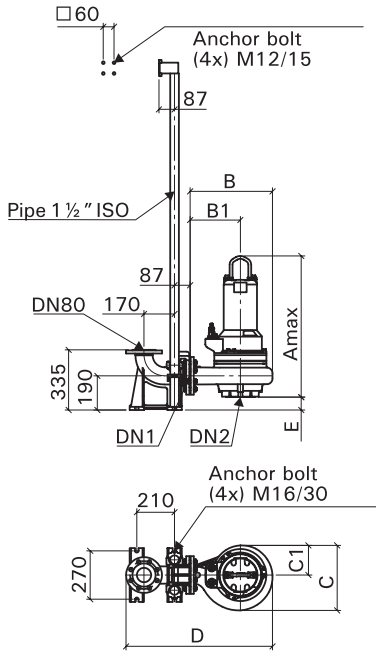
960 rpm

see page 27

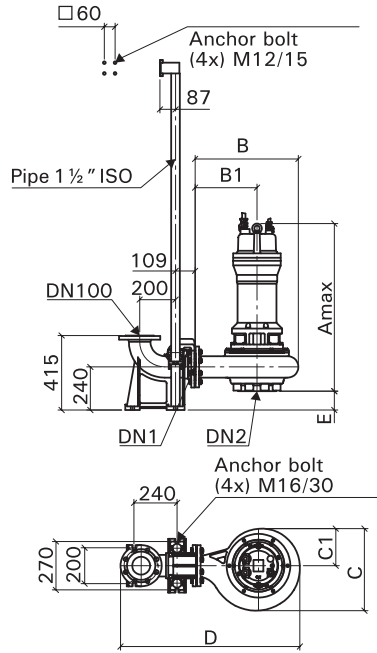


Wet well installation with auto-coupling system

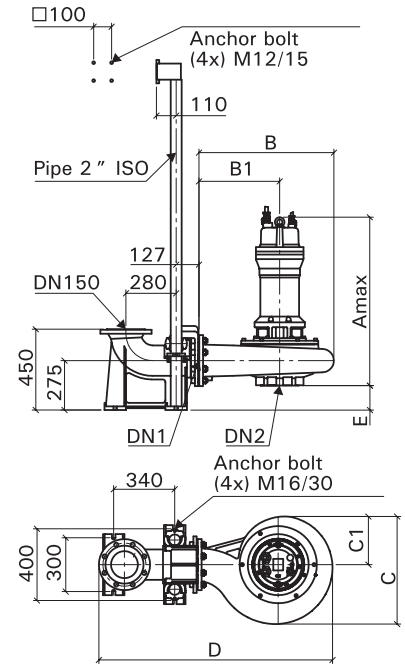
DN80



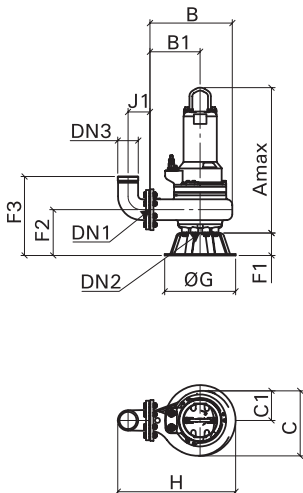
DN100



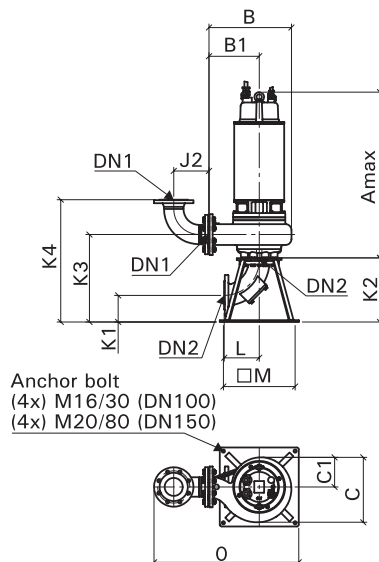
DN150



Wet well installation with base stand



Dry well installation vertical



Dry well installation horizontal

Range V13 + 23/2 + 4
Separate support flanged to pump housing

